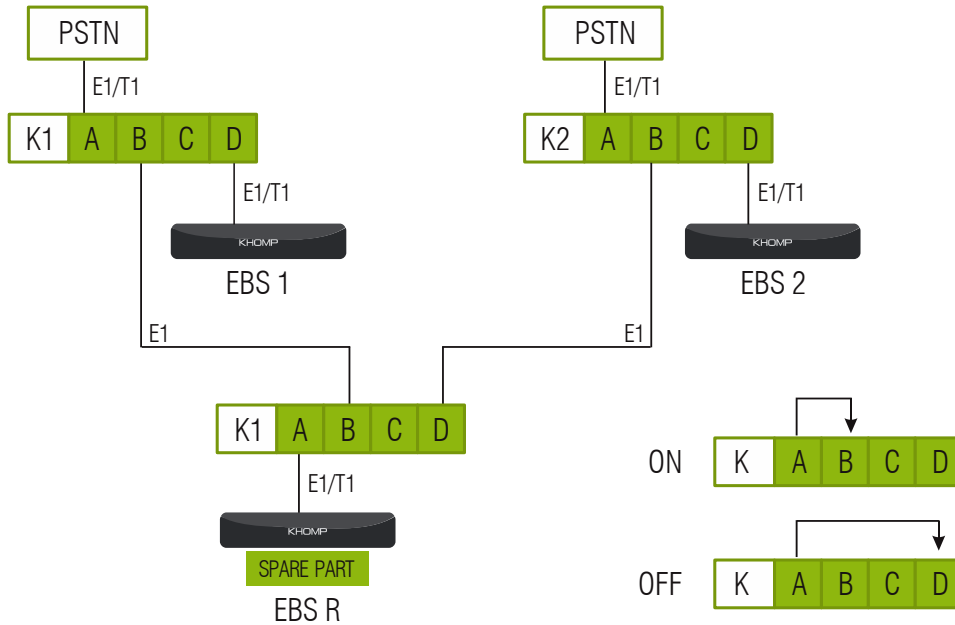


System for use of Kommuter for 2 x 1 Redundancy with EBS-E1



System for use of Kommuter for 4 x 1 Redundancy with EBS-E1

